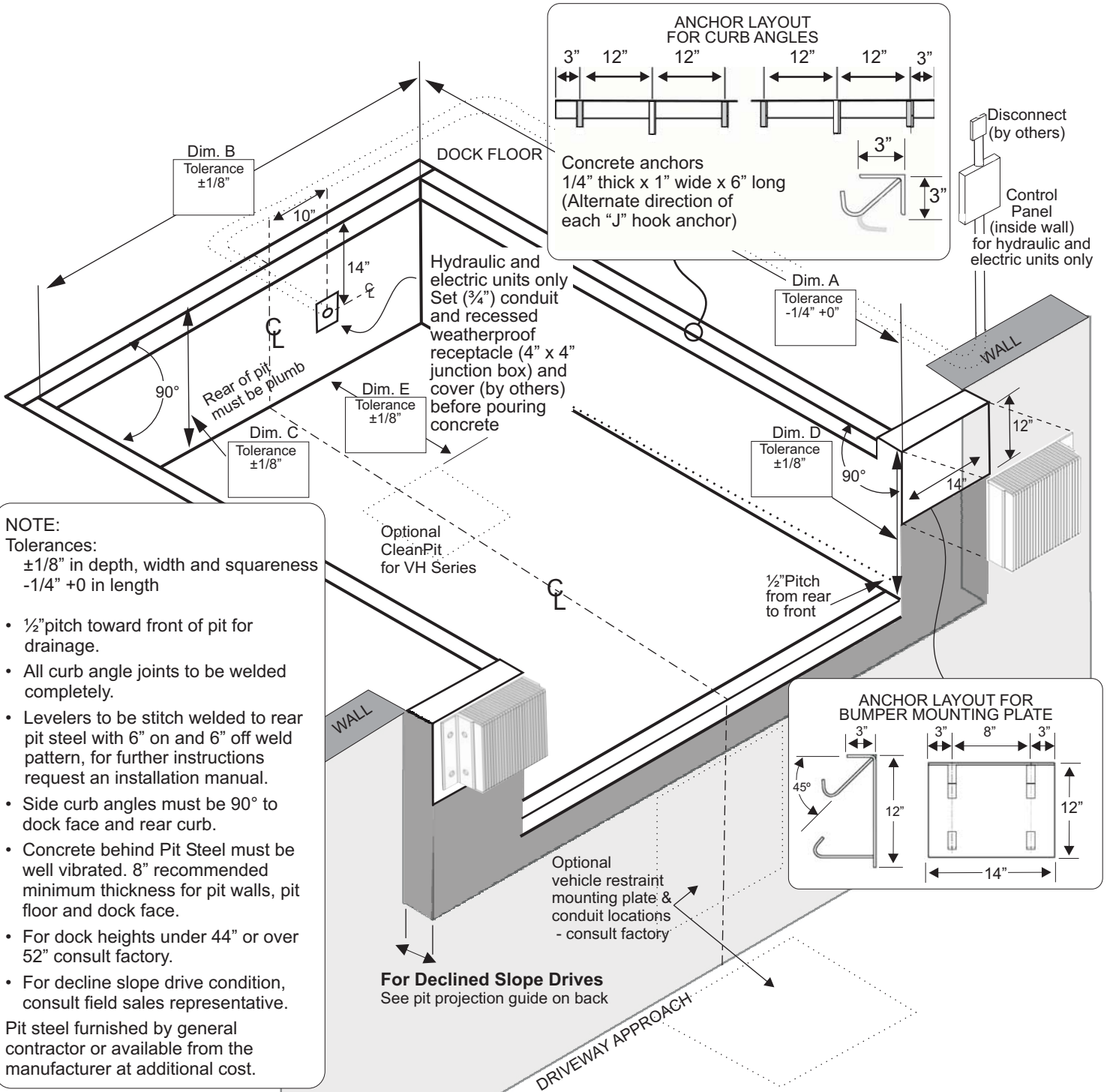


PIT DETAIL FOR CM, HM, and LMP SERIES MECHANICAL & EH, VH, and LHP SERIES HYDRAULIC & AP SERIES AIR POWERED DOCK LEVELERS



Customer: _____
 Job: _____
 Location: _____
 Qty: _____
 Model/Size: _____
 Capacity: _____
 Represented By: _____
 Sales Representative: _____

Certified For Construction:

By: _____
 Date: _____
 Company: _____
 City & State: _____
 Voltage/Phase: _____
 Drawing #: _____

Pit dimensional tolerances are ±1/8" in depth, width and squareness, -1/4" +0 in length.
 POWERAMP/Systems, Inc. assume no liability for deviations beyond this tolerance.

Dimensions below are for all CM, HM, LMP Series Mechanical and EH, VH, LHP Series Hydraulic and AP Series Air Powered, pit type levelers, all capacities, except 60K Comparative Industry Rating (CIR) leveler - Dim. "C" 23 1/2" Dim. "D" 24"										
	Contractors Bill Of Material					Nominal Pit Dimensions				
	Curb Angles 1/4" x 3" x 3"			Mounting Plates 1/4" Thick		Dim. "A" Length	Dim. "B" Width	Dim. "C" Depth (rear)	Dim. "D" Depth (front)	Dim. "E" Clean Pit (VH Series)
	Front (Qty 1)	Rear (Qty 1)	Side (Qty 2)	Bumper Plates (Qty 2)	*CleanPit Embed (Qty 1)					
6' x 6'	74"	80"	60"	3" x 12" x 14"	16" x 16"	63"	74"	19 1/2"	20"	5"
6.5' x 6'	80"	86"	60"	3" x 12" x 14"	16" x 16"	63"	80"	19 1/2"	20"	5"
7' x 6'	85"	91"	60"	3" x 12" x 14"	16" x 16"	63"	85"	19 1/2"	20"	5"
6' x 8'	74"	80"	84"	3" x 12" x 14"	16" x 16"	87"	74"	19 1/2"	20"	21"
6.5' x 8'	80"	86"	84"	3" x 12" x 14"	16" x 16"	87"	80"	19 1/2"	20"	21"
7' x 8'	85"	91"	84"	3" x 12" x 14"	16" x 16"	87"	85"	19 1/2"	20"	21"
6' x 10'	74"	80"	108"	3" x 12" x 14"	16" x 16"	111"	74"	23 1/2"	24"	29"
6.5' x 10'	80"	86"	108"	3" x 12" x 14"	16" x 16"	111"	80"	23 1/2"	24"	29"
7' x 10'	85"	91"	108"	3" x 12" x 14"	16" x 16"	111"	85"	23 1/2"	24"	29"
6' x 12'	74"	80"	132"	3" x 12" x 14"	16" x 16"	135"	74"	23 1/2"	24"	Consult Manufacturer
6.5' x 12'	80"	86"	132"	3" x 12" x 14"	16" x 16"	135"	80"	23 1/2"	24"	
7' x 12'	85"	91"	132"	3" x 12" x 14"	16" x 16"	135"	85"	23 1/2"	24"	

*Weldment is required ONLY for clean pit style leveler.

Optional Bumper Plates - in lieu of above

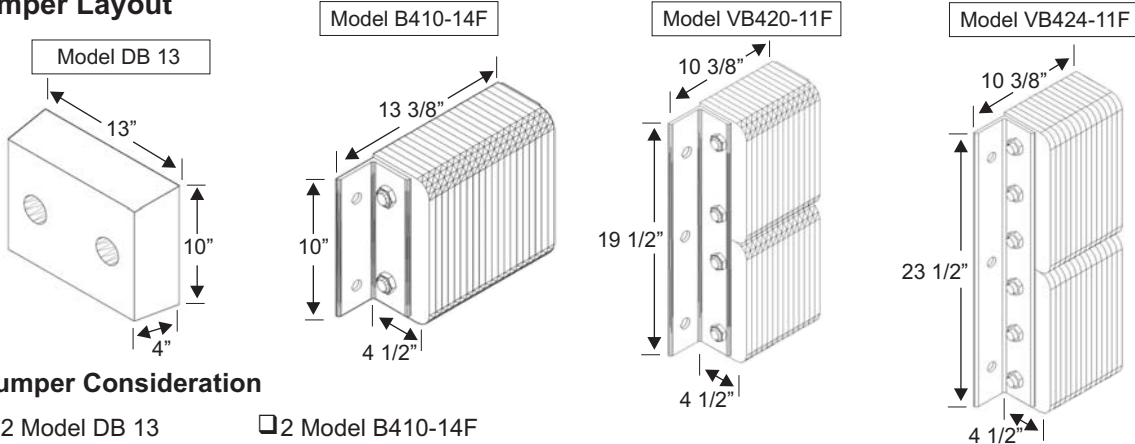
- 11" wide x 20" high (Qty 2)
- 11" wide x 24" high (Qty 2)
- Other Bumper Embed _____ (Qty 2)

Pit Projection Guide for Decline Slope Driveways

Percentage Of Grade = $\frac{\text{Rise of Driveway}}{\text{Driveway Length}}$	% of Driveway Grade	0%	1%	2%	3%	4%	5%	6%	7%	8%	9%	10%
	Pit Projection *Excludes Bumper Projection	0"	3"	4"	5"	6"	7"	8"	9"	10"	11"	12"

NOTE: Projection of pit may require modifications to seals and shelters. Coordinate with supplier if required.

Bumper Layout



Bumper Consideration

- 2 Model DB 13 Molded bumpers **Standard on CM & LMP (mechanical) and LHP (hydraulic) Series Levelers**
- 2 Model B410-14F laminated bumpers **Standard on HM (mechanical) and EH & VH (hydraulic) and AP (airpowered) Series Levelers**
 - Optional - 6" Projection
 - Optional - Steel face
- 2 Model VB420-11F laminated bumpers
 - Optional - 6" Projection
 - Optional - Steel face
- 2 Model VB424-11F laminated bumpers
 - Optional - 6" Projection
 - Optional - Steel face
- Other Bumper: _____

A continuing product improvement process is in effect at Systems, Inc. We reserve the right to make product changes without prior notice.