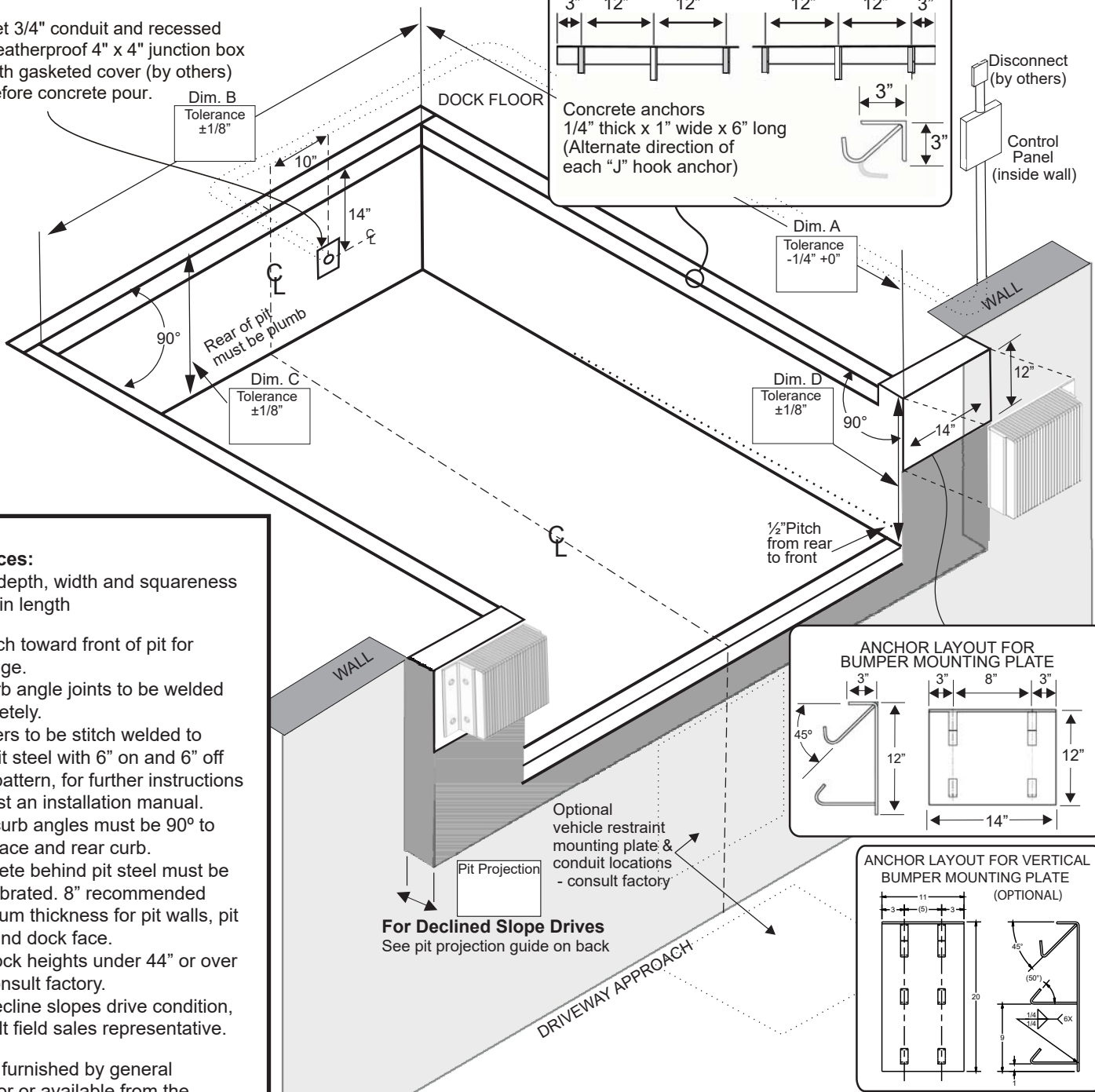


Pit Detail for PR\*, VH, EH and LHP Series Hydraulic

Set 3/4" conduit and recessed weatherproof 4" x 4" junction box with gasketed cover (by others) before concrete pour.



**Note:**

**Tolerances:**

$\pm 1/8"$  in depth, width and squareness  
 $-1/4" +0$  in length

- 1/2" pitch toward front of pit for drainage.
- All curb angle joints to be welded completely.
- Levelers to be stitch welded to rear pit steel with 6" on and 6" off weld pattern, for further instructions request an installation manual.
- Side curb angles must be 90° to dock face and rear curb.
- Concrete behind pit steel must be well vibrated. 8" recommended minimum thickness for pit walls, pit floor and dock face.
- For dock heights under 44" or over 52" consult factory.
- For decline slopes drive condition, consult field sales representative.

Pit steel furnished by general contractor or available from the manufacturer at additional cost.

**For Declined Slope Drives**  
 See pit projection guide on back

\*120K PRs are still available with cleanpit frames please request job specific drawings.

Customer:	<b>Certified For Construction</b>
Job:	By:
Location:	Date:
Qty:	Company:
Model/Size:	City & State:
Capacity:	Voltage/Phase:
Represented By:	Drawing#:
Sales Representative:	

Pit dimensional tolerances are  $\pm 1/8$ " depth, width and squareness.  $-1/4$ "  $+0$ " in length.  
 Poweramp/Systems, LLC assume no liability for deviations beyond this tolerance.

Dimensions below are for PR, VH, EH, LHP series hydraulic pit style levelers.								
	Contractors Bill of Material				Nominal Pit Dimensions			
	Curb Angles 1/4" x 3" x 3"			Mounting Plates 1/4" Thick	Dim. "A" Length	Dim. "B" Width	Dim. "C" Depth (rear)	Dim. "D" Depth (Front)
	Front (Qty 1)	Rear (Qty 1)	Side (Qty 2)	Bumper Plates (Qty 2)				
6' x 6'	74"	80"	60"	3" x 12" x 14"	63"	74"	19 1/2"	20"
6.5' x 6'	80"	86"	60"	3" x 12" x 14"	63"	80"	19 1/2"	20"
7' x 6'	85"	91"	60"	3" x 12" x 14"	63"	85"	19 1/2"	20"
6' x 8'	74"	80"	84"	3" x 12" x 14"	87"	74"	19 1/2"	20"
6.5' x 8'	80"	86"	84"	3" x 12" x 14"	87"	80"	19 1/2"	20"
7' x 8'	85"	91"	84"	3" x 12" x 14"	87"	85"	19 1/2"	20"
6' x 10'	74"	80"	108"	3" x 12" x 14"	111"	74"	23 1/2"	24"
6.5' x 10'	80"	86"	108"	3" x 12" x 14"	111"	80"	23 1/2"	24"
7' x 10'	85"	91"	108"	3" x 12" x 14"	111"	85"	23 1/2"	24"
6' x 12'	74"	80"	132"	3" x 12" x 14"	135"	74"	23 1/2"	24"
6.5' x 12'	80"	86"	132"	3" x 12" x 14"	135"	80"	23 1/2"	24"
7' x 12'	85"	91"	132"	3" x 12" x 14"	135"	85"	23 1/2"	24"

*\*On PR levelers 24" pits required for folding toe guards*

**Optional Bumper Plates - in lieu of above**

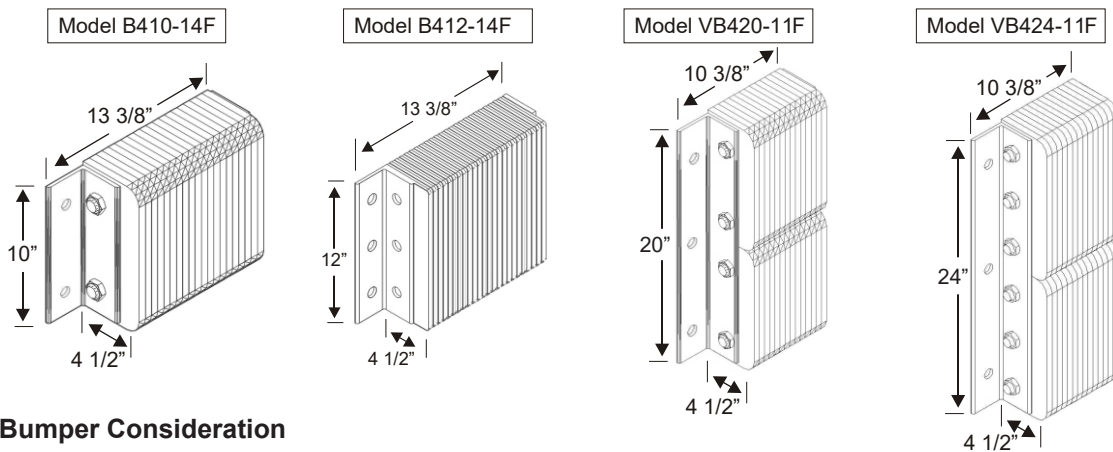
- 3" x 11" wide x 20" high (Qty 2)
- 3" x 11" wide x 24" high (Qty 2)
- Other Bumper Embed \_\_\_\_\_ (Qty 2)

**Pit Projection Guide for Decline Slope Driveways**

Percentage of Grade = $\frac{\text{Rise of Driveway}}{\text{Driveway Length}}$	% of Driveway Grade	0%	1%	2%	3%	4%	5%	6%	7%	8%	9%	10%
		Pit Projection *Excludes Bumper Projection	0"	3"	4"	5"	6"	7"	8"	9"	10"	11"

**Note:** Projection of pit may require modifications to seals and shelters.  
 Coordinate with supplier if required.

**Bumper Layout**



**Bumper Consideration**

- 2 Model B410-14F laminated bumpers **Standard on VH EH LHP**
  - 2 Model B412-14F laminated bumpers **Standard on PR**
  - 2 Model VB420-11F laminated bumpers
  - 2 Model VB424-11F laminated bumpers
  - Other Bumper: \_\_\_\_\_
- Optional - 6" Projection     Optional - Steel Face     Optional - 6" Projection     Optional - Steel Face

A continuing product improvement process is in effect at Systems, LLC. We reserve the right to make product changes without prior notice.

Poweramp • Division of Systems, LLC • W194 N11481 McCormick Dr. • Germantown, WI 53022  
 Phone: (800) 643-5424 • Email: sales@poweramp.com • www.Poweramp.com