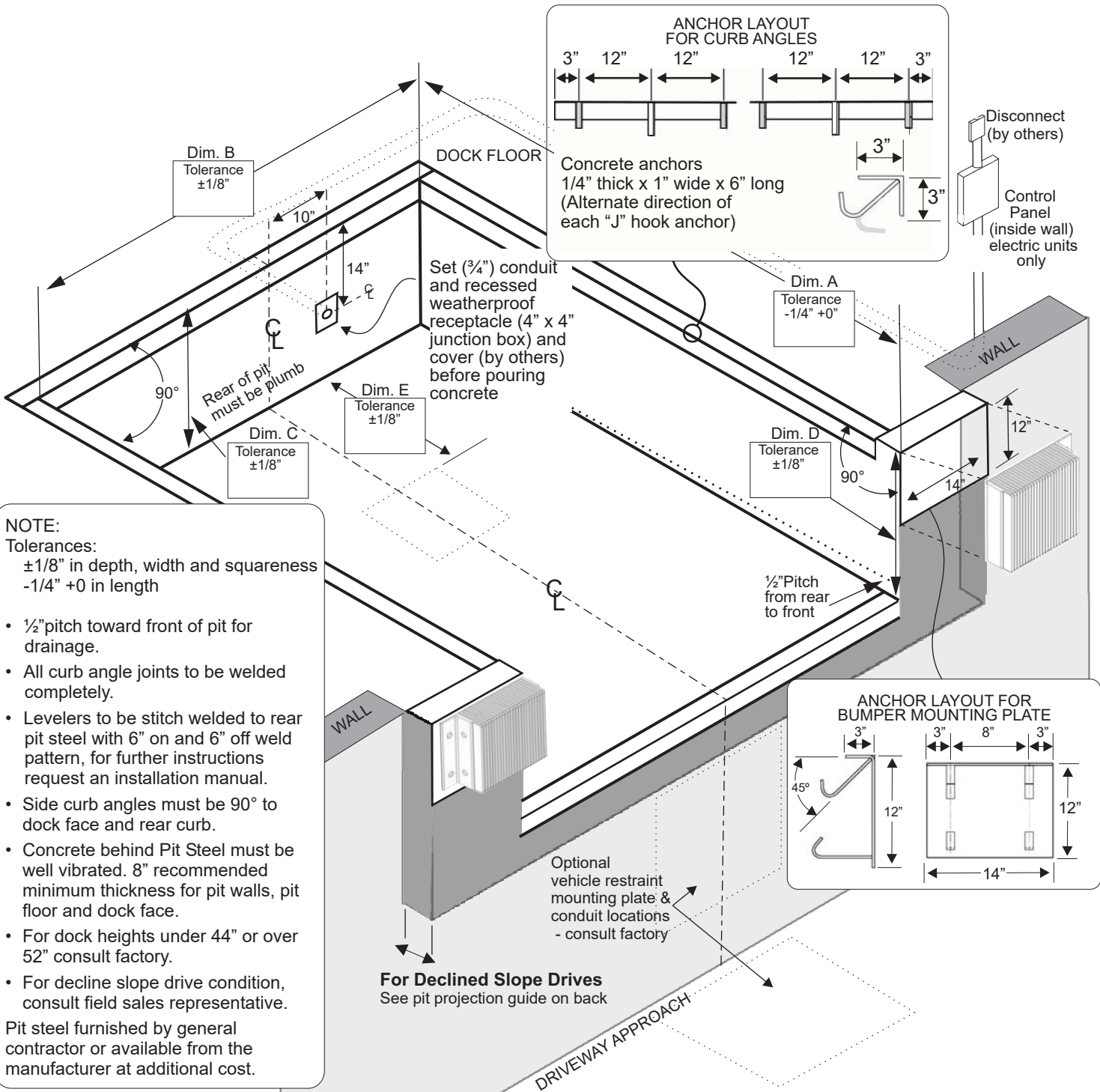


PIT DETAIL FOR AP SERIES AIR POWERED DOCK LEVELERS



Customer: _____
 Job: _____
 Location: _____
 Qty: _____
 Model/Size: _____
 Capacity: _____
 Represented By: _____
 Sales Representative: _____

Certified For Construction:
 By: _____
 Date: _____
 Company: _____
 City & State: _____
 Voltage/Phase: _____
 Drawing #: _____

Pit dimensional tolerances are $\pm 1/8$ " in depth, width and squareness, $-1/4$ " +0 in length.
 Poweramp/Systems, LLC assume no liability for deviations beyond this tolerance.

Dimensions below are for all AP Series Air Operated pit type levelers, all capacities Comparative Industry Rating (CIR) leveler - Dim. "C" is 19 1/2" and Dim. "D" is 20".									
	Contractors Bill Of Material					Nominal Pit Dimensions			
	Curb Angles 1/4" x 3" x 3"			Mounting Plates 1/4" Thick		Dim. "A" Length	Dim. "B" Width	Dim. "C" Depth (rear)	Dim. "D" Depth (front)
	Front (Qty 1)	Rear (Qty 1)	Side (Qty 2)	Face (Qty 2)					
6' x 6'	74"	80"	60"	20"		63"	74"	19 1/2"	20"
6.5' x 6'	80"	86"	60"	20"		63"	80"	19 1/2"	20"
7' x 6'	85"	91"	60"	20"		63"	85"	19 1/2"	20"
6' x 8'	74"	80"	84"	20"		87"	74"	19 1/2"	20"
6.5' x 8'	80"	86"	84"	20"		87"	80"	19 1/2"	20"
7' x 8'	85"	91"	84"	20"		87"	85"	19 1/2"	20"
6' x 10'	74"	80"	108"	24"		111"	74"	19 1/2"	20"
6.5' x 10'	80"	86"	108"	24"		111"	80"	19 1/2"	20"
7' x 10'	85"	91"	108"	24"		111"	85"	19 1/2"	20"

Optional Bumper Plates - in lieu of above

- 11" wide x 20" high (Qty 2)
- 11" wide x 24" high (Qty 2)
- Other Bumper Embed _____ (Qty 2)

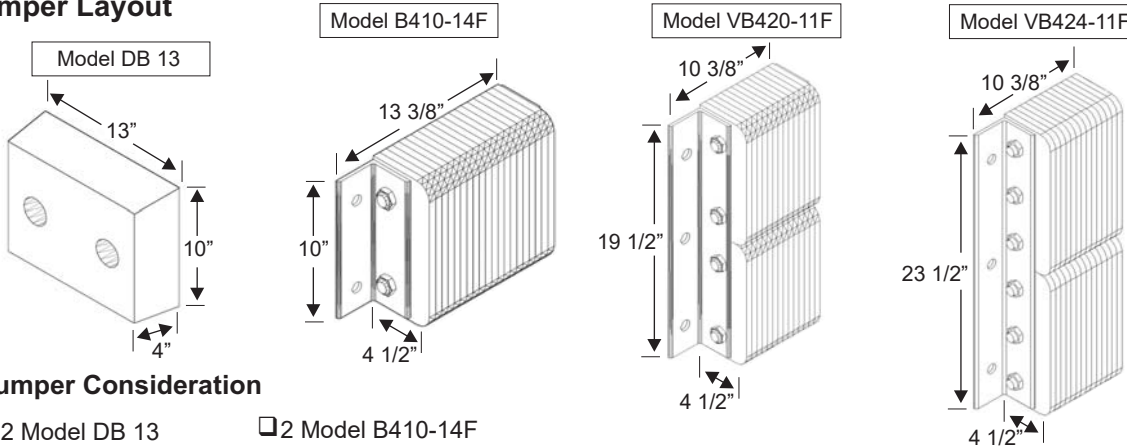
Pit Projection Guide for Decline Slope Driveways

Percentage Of Grade = $\frac{\text{Rise of Driveway}}{\text{Driveway Length}}$

% of Driveway Grade	0%	1%	2%	3%	4%	5%	6%	7%	8%	9%	10%
Pit Projection *Excludes Bumper Projection	0"	3"	4"	5"	6"	7"	8"	9"	10"	11"	12"

NOTE: Projection of pit may require modifications to seals and shelters. Coordinate with supplier if required.

Bumper Layout



Bumper Consideration

- 2 Model DB 13 Molded bumpers
- 2 Model B410-14F laminated bumpers **Standard on AP** (air powered)
 - Optional - 6" Projection
 - Optional - Steel face
- 2 Model VB420-11F laminated bumpers
 - Optional - 6" Projection
 - Optional - Steel face
- 2 Model VB424-11F laminated bumpers
 - Optional - 6" Projection
 - Optional - Steel face
- Other Bumper: _____

A continuing product improvement process is in effect at Systems, Inc. We reserve the right to make product changes without prior notice.