

DL Series Edge-of-Dock Leveler Specification Sheet and Submittal



STANDARD FEATURES FOR THE EDGE-OF-DOCK LEVELER

- Dual-extension Spring Lift Mechanism
- DL Series Lifting Hook
- Cold-rolled Steel Hinge Pins for Added Strength and Long Life
- Grease Fittings
- High-strength Steel Safety Tread Plate, Minimum 55,000 PSI Yield Strength
- Milled Lip Edge for Smooth Tire Rollover
- Secondary Gussets for Added Strength and Extended Life
- Full Width Distribution Bar for Extra Durability
- Heavy-Duty Bumper Blocks Assemblies with Tuf-Cord Rubber Bumpers 4"x12"x13"
- Bumper Projection = 15"

DL Series Edge-of-Dock Leveler Specification Sheet and Submittal

GENERAL: DLM invented the industries first "edge-of-dock" leveler over 40 years ago, setting the pace for the industry. The DLM "DL" series Edge-of-Dock Leveler mounts to the exterior dock face providing a simple and economical alternative to "portable plates" or "pit style" levelers. Edge-of-Dock Levelers are ideal for the motor freight industry or those companies with standardized trailer bed heights. DLM is a division of Systems LLC, Germantown Wisconsin.

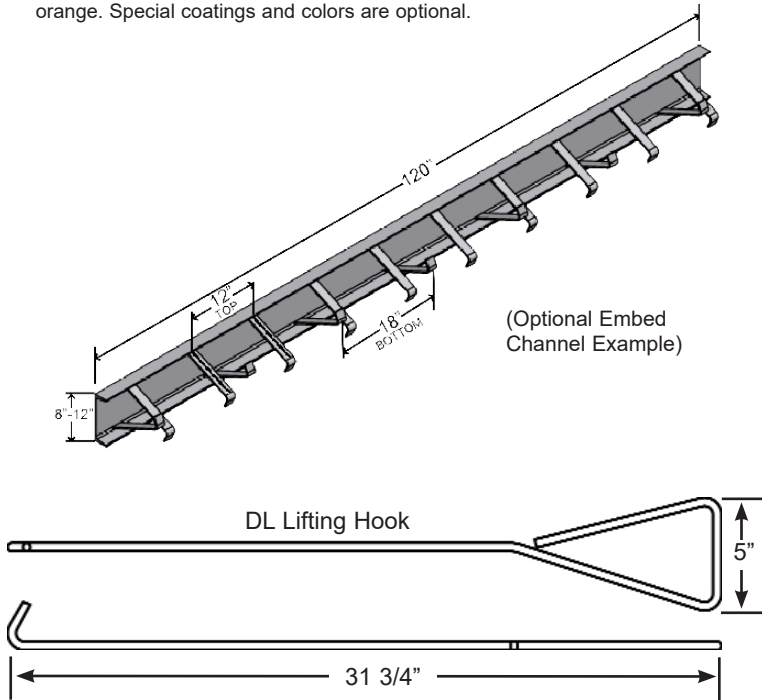
CONSTRUCTION: The DLM DL Series Edge-of dock leveler permanently mounts to the dock face. The platform and lip are constructed of 4-way high tensile 55,000 psi minimum yield (A572) steel safety treadplate. The tread plate on the 20,000 and 25,000 lbs comparative Industry Rated (CIR) unit is 3/8" thick, and the 30,000 lbs (CIR) is 7/16". The standard lip length is 15" on all DL Series Edge-of-Dock Levelers. Hinge tubes are 1 1/4" OD with 1/4" wall thickness. Lip hinge pins is 11/16" solid shaft cold finish M1044 steel. Each leveler comes standard with a 1/2" full width load distribution bar, connecting the hinge and lip section. Deck is supported in the stored position by a minimum of four (4) steel gussets attached to the base plate.

STANDARD OPERATIONAL FEATURES: Each DL Series model provides a recommended working range of +/-3" and a maximum operating range of +/-5" above or below dock level. To operate the unit, the dock attendant simply positions the DL Lifting Hook into the lip recess and pulls up. By pushing the lifting hook forward as the leveler descends onto the truck bed allows the release and separation of the lifting hook. Standard finish includes rust inhibitive prime coat industrial grade finish. Color of ramp is gray and bumpers are orange. Special coatings and colors are optional.

BUMPER BLOCK ASSEMBLES: Each DL Series Leveler is shipped with two (2) bumper block assemblies to help protect the deck plate and building from the approaching truck. Bumper block assemblies are extra-heavy duty 4"x12"x13" constructed of formed steel and incorporate a full height internal gusset for extra support. All DLM bumper blocks feature 4" thick Tuf-Cord rubber bumper.

INSTALLATION: For new construction, a flush or recessed 8" - 12" anchoring channel (shown) is strongly recommended. Unit is then welded and anchored to embed plate and foundation wall. For existing docks without preferred embed channel, optional ramp approach plates or formed angles are available to maximize the strength of installation.

WARRANTY: All DLM DL Series models feature a full one (1) year base warranty on all structural and mechanical parts, including freight and labor charges in accordance with Systems, LLC Standard Warranty Policy. Systems LLC warrants all components to be free of defects in materials and workmanship, under normal use, during the warranty period. This base warranty period begins upon the completion of the installation or the sixtieth (60th) day after shipment, whichever is earlier.



Dimensions and Capacities Select a Model and a Capacity			
Model #	Deck Width	Total Unit Width	Comparative Industry Rating
<input type="checkbox"/> DL-66	66"	104"	<input type="checkbox"/> 20,000
<input type="checkbox"/> DL-72	72"	110"	<input type="checkbox"/> 25,000
<input type="checkbox"/> DL-78	78"	116"	<input type="checkbox"/> 30,000 (N/A for DL-78)

Optional Equipment for Edge-of-Dock (Check options desired)	
<input type="checkbox"/> 17" Lip	<input type="checkbox"/> Embed Channel Size _____
<input type="checkbox"/> Tapered Lip (4" < ramp width)	<input type="checkbox"/> Approach Plate Size _____
<input type="checkbox"/> U.S. Post Office Model with 3" Run Off Guards	<input type="checkbox"/> Formed Angle Size _____
<input type="checkbox"/> Torsion Spring (in lieu of extension springs)	<input type="checkbox"/> iDock™ Alert Communication System
<input type="checkbox"/> Shallow Pit Design (12" Depth - Torsion Spring)	<input type="checkbox"/> Wheel Chock Model _____
<input type="checkbox"/> Recessed Design with 4" Thick Laminated Bumpers	<input type="checkbox"/> Dock Light Model _____
<input type="checkbox"/> Sliding Bumper Blocks	<input type="checkbox"/> Other _____
<input type="checkbox"/> Other Bumpers _____	<input type="checkbox"/> Other _____
<input type="checkbox"/> Low Clearance Design (Flat Center Plate) Pallet-Jack Applications	<input type="checkbox"/> Other _____
<input type="checkbox"/> Four Sided Box Form	<input type="checkbox"/> Other _____

Customer: _____ Job: _____ Location: _____ Number of Units: _____ Model: _____ Size: _____ Represented By: _____ SalesRep: _____	Certified For Construction: By: _____ Date: _____ Company: _____ City & State: _____ Drawing #: _____
---	---

A continuing product improvement process is in effect at Systems, LLC. We reserve the right to make product changes without prior notice.