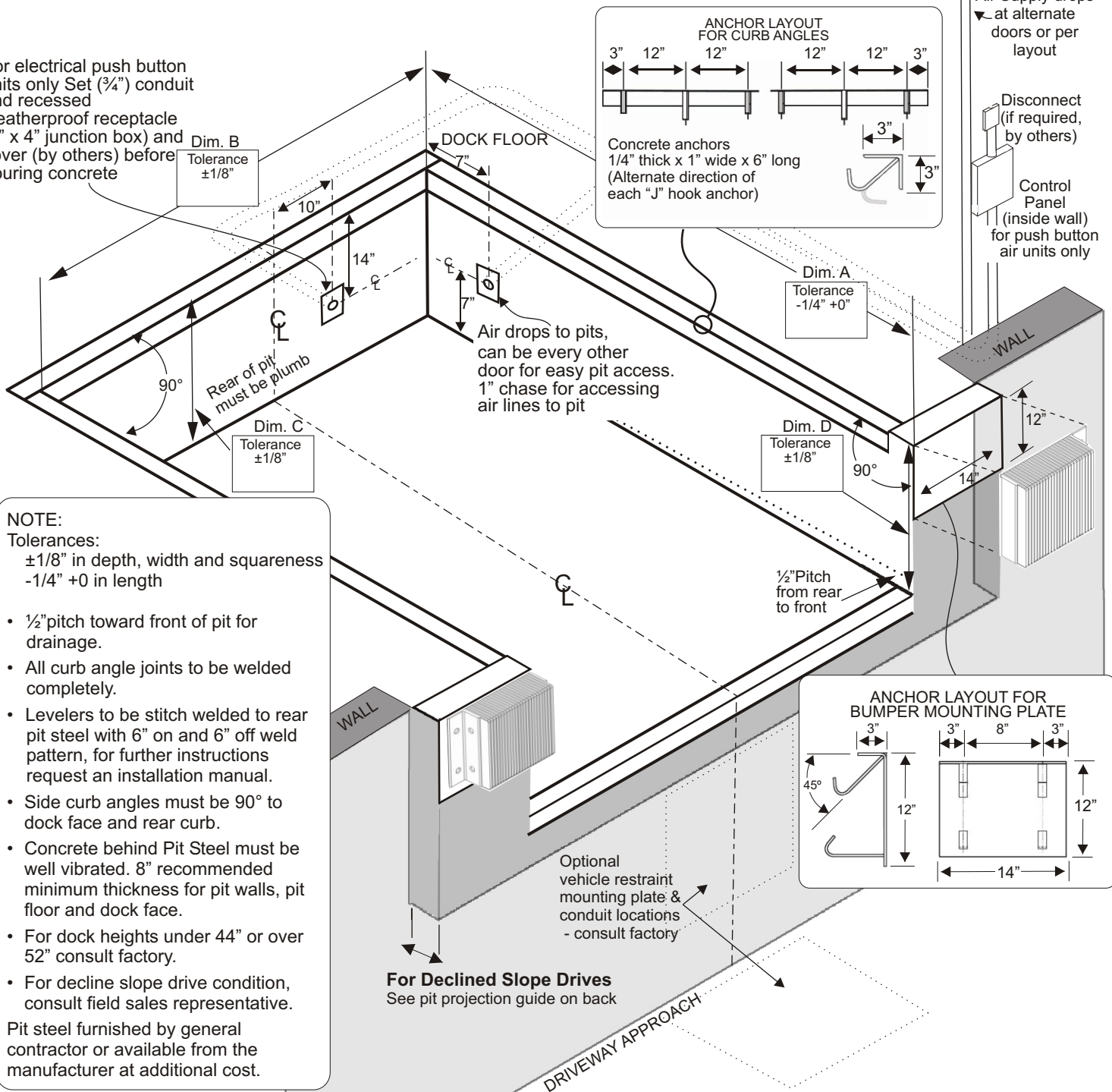


## PIT DETAIL FOR CENTRAAIR® CA SERIES AIR POWERED DOCK LEVELERS

\*NOTE: recommended engineered application drawing for multiple unit installation consult factory.

For electrical push button units only Set (¾") conduit and recessed weatherproof receptacle (4" x 4" junction box) and cover (by others) before pouring concrete



**NOTE:**

Tolerances:  
±1/8" in depth, width and squareness  
-1/4" +0 in length

- 1/2" pitch toward front of pit for drainage.
- All curb angle joints to be welded completely.
- Levelers to be stitch welded to rear pit steel with 6" on and 6" off weld pattern, for further instructions request an installation manual.
- Side curb angles must be 90° to dock face and rear curb.
- Concrete behind Pit Steel must be well vibrated. 8" recommended minimum thickness for pit walls, pit floor and dock face.
- For dock heights under 44" or over 52" consult factory.
- For decline slope drive condition, consult field sales representative.

Pit steel furnished by general contractor or available from the manufacturer at additional cost.

Customer: \_\_\_\_\_  
 Job: \_\_\_\_\_  
 Location: \_\_\_\_\_  
 Qty: \_\_\_\_\_  
 Model/Size: \_\_\_\_\_  
 Capacity: \_\_\_\_\_  
 Represented By: \_\_\_\_\_  
 Sales Representative: \_\_\_\_\_

**Certified For Construction:**

By: \_\_\_\_\_  
 Date: \_\_\_\_\_  
 Company: \_\_\_\_\_  
 City & State: \_\_\_\_\_  
 Voltage/Phase: \_\_\_\_\_  
 Drawing #: \_\_\_\_\_

Pit dimensional tolerances are ±1/8" in depth, width and squareness, -1/4" +0 in length.  
 POWERAMP/Systems, LLC assume no liability for deviations beyond this tolerance.

Dimensions below are for all CentraAir "CA" Series Air Powered, pit type levelers.									
	Contractors Bill Of Material					Nominal Pit Dimensions			
	Curb Angles 1/4" x 3" x 3"			Mounting Plates 1/4" Thick		Dim. "A" Length	Dim. "B" Width	Dim. "C" Depth (rear)	Dim. "D" Depth (front)
	Front (Qty 1)	Rear (Qty 1)	Side (Qty 2)	Bumper Plates (Qty 2)					
6' x 6'	74"	80"	60"	3" x 12" x 14"		63"	74"	19½"	20"
6.5' x 6'	80"	86"	60"	3" x 12" x 14"		63"	80"	19½"	20"
7' x 6'	85"	91"	60"	3" x 12" x 14"		63"	85"	19½"	20"
6' x 8'	74"	80"	84"	3" x 12" x 14"		87"	74"	19½"	20"
6.5' x 8'	80"	86"	84"	3" x 12" x 14"		87"	80"	19½"	20"
7' x 8'	85"	91"	84"	3" x 12" x 14"		87"	85"	19½"	20"
6' x 10'	74"	80"	108"	3" x 12" x 14"		111"	74"	23½"	24"
6.5' x 10'	80"	86"	108"	3" x 12" x 14"		111"	80"	23½"	24"
7' x 10'	85"	91"	108"	3" x 12" x 14"		111"	85"	23½"	24"

**Optional Bumper Plates - in lieu of above**

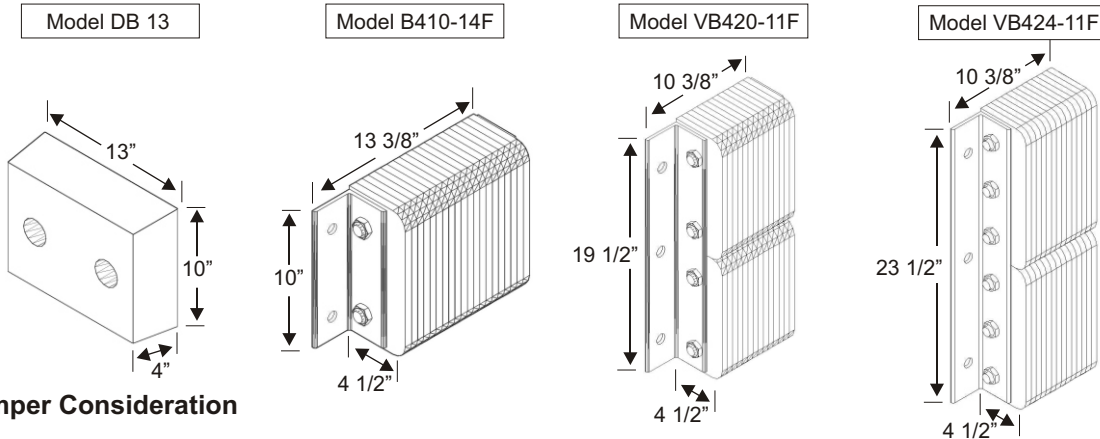
- 11" wide x 20" high (Qty 2)
- 11" wide x 24" high (Qty 2)
- Other Bumper Embed \_\_\_\_\_ (Qty 2)

**Pit Projection Guide for Decline Slope Driveways**

Percentage Of Grade = $\frac{\text{Rise of Driveway}}{\text{Driveway Length}}$	% of Driveway Grade	0%	1%	2%	3%	4%	5%	6%	7%	8%	9%	10%
		Pit Projection *Excludes Bumper Projection	0"	3"	4"	5"	6"	7"	8"	9"	10"	11"

**NOTE:** Projection of pit may require modifications to seals and shelters.  
 Coordinate with supplier if required.

**Bumper Layout**



**Bumper Consideration**

- 2 Model DB 13 Molded bumpers
- 2 Model B410-14F laminated bumpers  
**Standard on CA (airpowered) Series Levelers**  
 Optional - 6" Projection  
 Optional - Steel face
- 2 Model VB420-11F laminated bumpers  
 Optional - 6" Projection  
 Optional - Steel face
- 2 Model VB424-11F laminated bumpers  
 Optional - 6" Projection  
 Optional - Steel face
- Other Bumper: \_\_\_\_\_

A continuing product improvement process is in effect at Systems, LLC. We reserve the right to make product changes without prior notice.