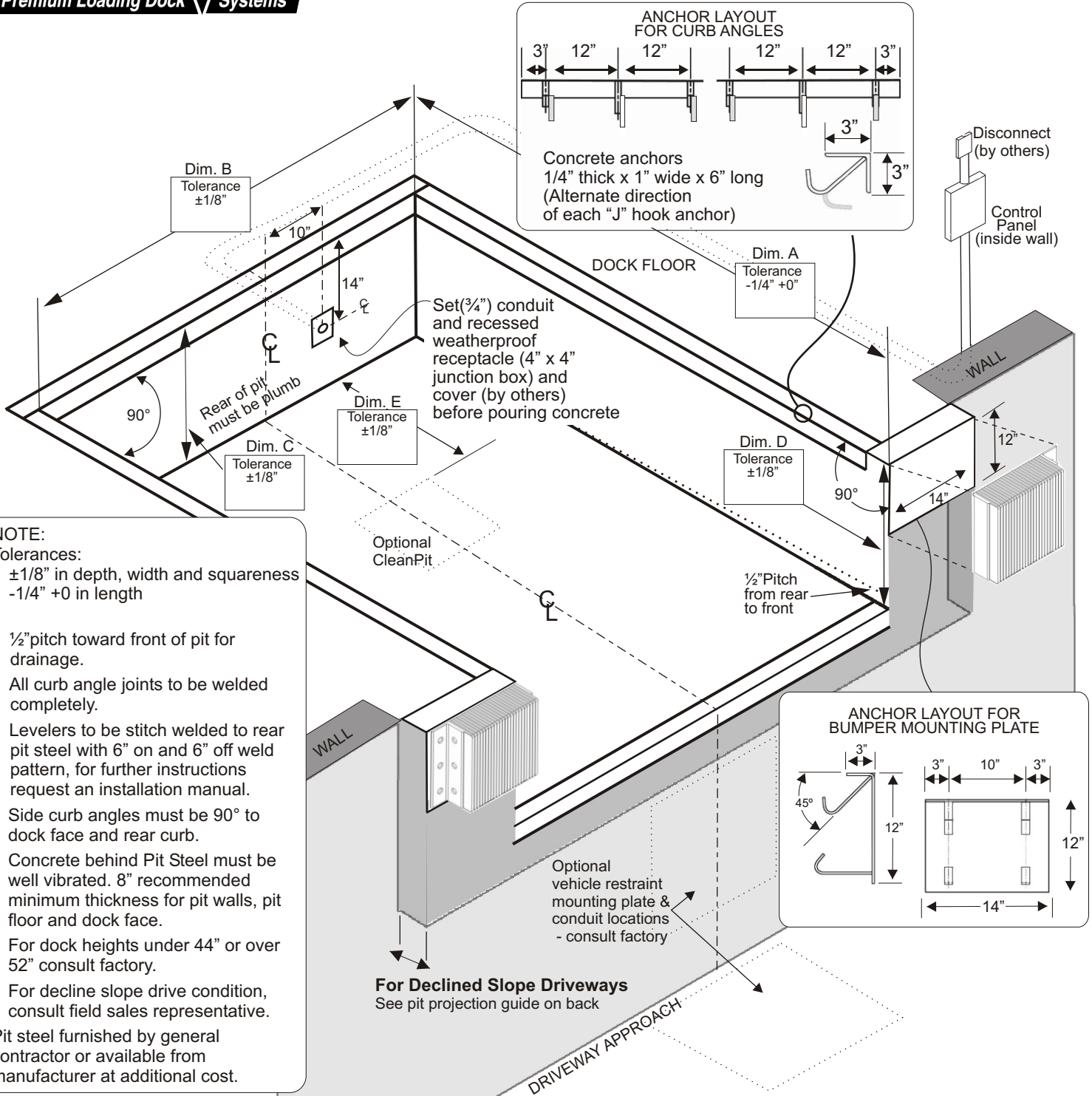


PIT DETAIL FOR PR SERIES HYDRAULIC DOCK LEVELERS



NOTE:
Tolerances:
±1/8" in depth, width and squareness
-1/4" +0 in length

- 1/2" pitch toward front of pit for drainage.
- All curb angle joints to be welded completely.
- Levelers to be stitch welded to rear pit steel with 6" on and 6" off weld pattern, for further instructions request an installation manual.
- Side curb angles must be 90° to dock face and rear curb.
- Concrete behind Pit Steel must be well vibrated. 8" recommended minimum thickness for pit walls, pit floor and dock face.
- For dock heights under 44" or over 52" consult factory.
- For decline slope drive condition, consult field sales representative.

Pit steel furnished by general contractor or available from manufacturer at additional cost.

Customer: _____
 Job: _____
 Location: _____
 Qty: _____
 Model/Size: _____
 Capacity: _____
 Represented By: _____
 Sales Representative: _____

Certified For Construction:
 By: _____
 Date: _____
 Company: _____
 City & State: _____
 Voltage/Phase: _____
 Drawing #: _____

Pit dimensional tolerances are $\pm 1/8"$ in depth, width and squareness, $-1/4" +0"$ in length.
 POWERAMP/Systems, LLC assume no liability for deviations beyond this tolerance.

Leveler Size	Dimensions below are for all PR Series, pit type hydraulic levelers of 30K to 120K industry rated capacities									
	Contractors Bill Of Material					Nominal Pit Dimensions				
	Curb Angles $1/4" \times 3" \times 3"$			Mounting Plates $1/4"$ Thick		Dim. "A" Length	Dim. "B" Width	Dim. "C" Depth (rear)	Dim. "D" Depth (front)	Dim. "E" CleanPit
	Front (Qty 1)	Rear (Qty 1)	Side (Qty 2)	Bumper Embed (Qty 2)	*CleanPit Embed (Qty 1)					
6' x 6'	74"	80"	60"	3" x 12" x 14"	16" x 16"	63"	74"	23 1/2"	24"	14 1/2"
6.5' x 6'	80"	86"	60"	3" x 12" x 14"	16" x 16"	63"	80"	23 1/2"	24"	14 1/2"
7' x 6'	85"	91"	60"	3" x 12" x 14"	16" x 16"	63"	85"	23 1/2"	24"	14 1/2"
6' x 8'	74"	80"	84"	3" x 12" x 14"	16" x 16"	87"	74"	23 1/2"	24"	26"
6.5' x 8'	80"	86"	84"	3" x 12" x 14"	16" x 16"	87"	80"	23 1/2"	24"	26"
7' x 8'	85"	91"	84"	3" x 12" x 14"	16" x 16"	87"	85"	23 1/2"	24"	26"
6' x 10'	74"	80"	108"	3" x 12" x 14"	16" x 16"	111"	74"	23 1/2"	24"	34"
6.5' x 10'	80"	86"	108"	3" x 12" x 14"	16" x 16"	111"	80"	23 1/2"	24"	34"
7' x 10'	85"	91"	108"	3" x 12" x 14"	16" x 16"	111"	85"	23 1/2"	24"	34"
6' x 12'	74"	80"	132"	3" x 12" x 14"	16" x 16"	135"	74"	23 1/2"	24"	Consult Manufacturer
6.5' x 12'	80"	86"	132"	3" x 12" x 14"	16" x 16"	135"	80"	23 1/2"	24"	
7' x 12'	85"	91"	132"	3" x 12" x 14"	16" x 16"	135"	85"	23 1/2"	24"	

*Weldment is required ONLY for clean pit style leveler.
NOTE: Altering pit depth from the above recommended depths may affect service range and options such as folding/locking toe guards and platform mounted power pack. Consult factory to determine service range and available options.

Optional Bumper Plates - in lieu of above

- 11" wide x 20" high (Qty 2)
- 11" wide x 24" high (Qty 2)
- Other Bumper Embed _____ (Qty 2)

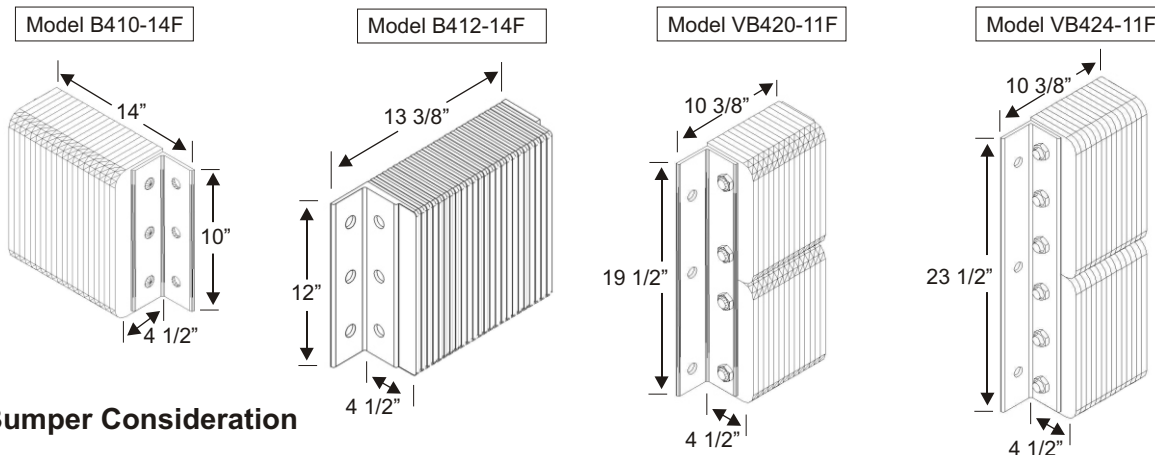
Pit Projection Guide for Decline Slope Driveways

Percentage Of Grade = $\frac{\text{Rise of Driveway}}{\text{Driveway Length}}$

% of Driveway Grade	0%	1%	2%	3%	4%	5%	6%	7%	8%	9%	10%
Pit Projection *Excludes Bumper Projection	0"	3"	4"	5"	6"	7"	8"	9"	10"	11"	12"

NOTE: Projection of pit may require modifications to seals and shelters. Coordinate with supplier if required.

Bumper Layout



Bumper Consideration

- 2 Model B410-14F laminated bumpers
 - Optional - 6" Projection
 - Optional - Steel face
- 2 Model B412-14F laminated bumpers
 - Standard on PR Series**
 - Optional - 6" Projection
 - Optional - Steel face
- 2 Model VB420-11F laminated bumpers
 - Optional - 6" Projection
 - Optional - Steel face
- 2 Model VB424-11F laminated bumpers
 - Optional - 6" Projection
 - Optional - Steel face
- Other: _____